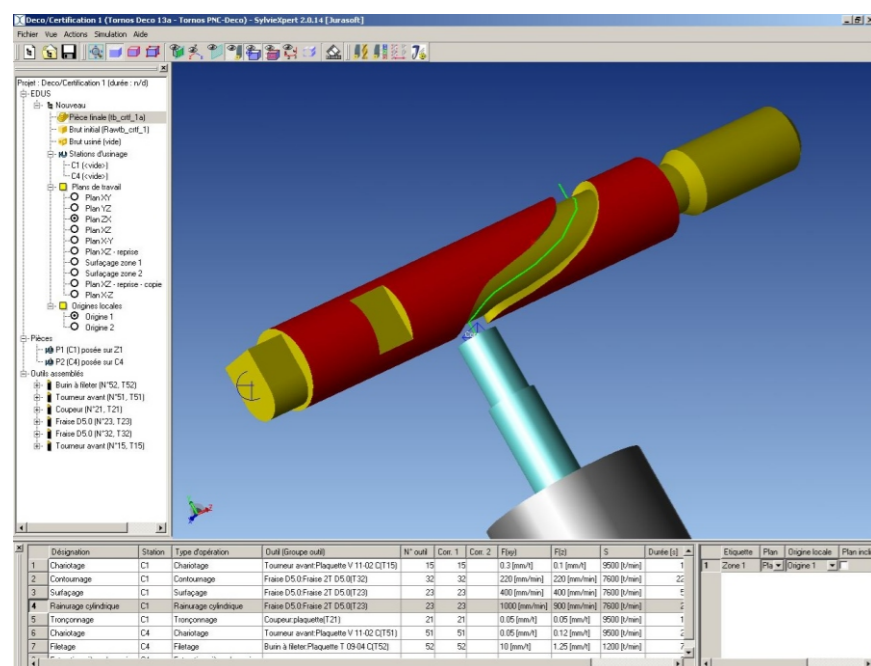
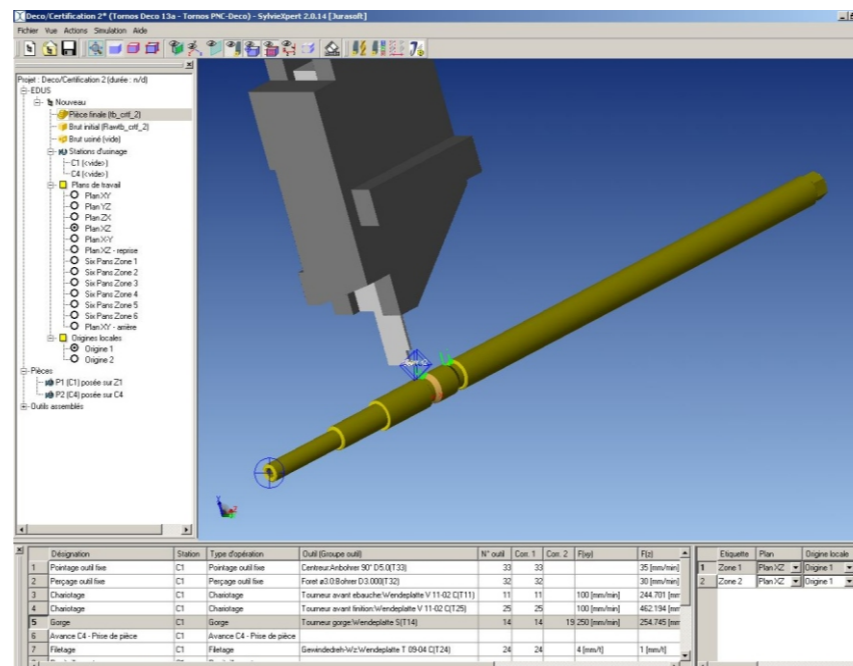


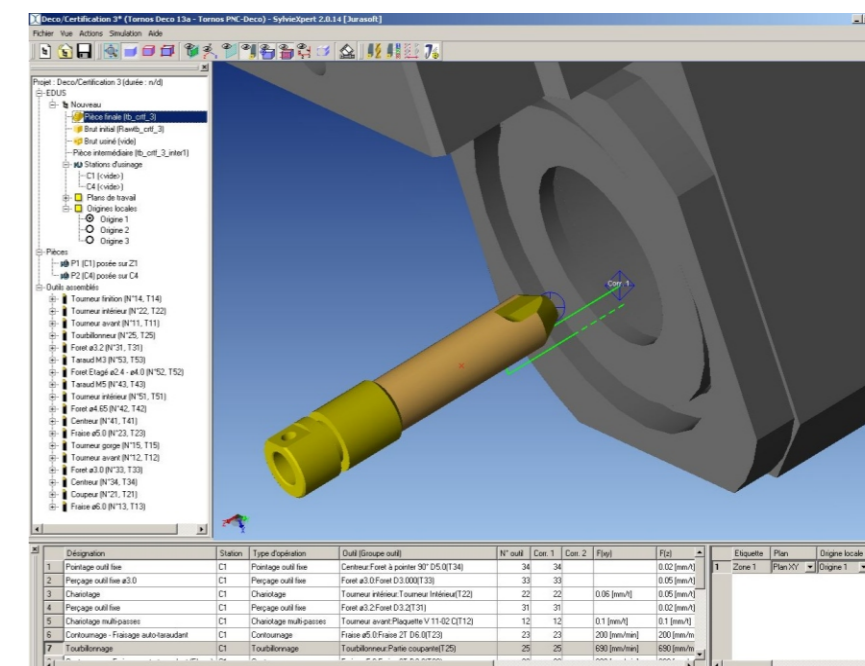
# CAM software certified by TORNOS SA for TB-DECO ADV 2006



Tornos certification workpiece 1 with CX machinings and cylindrical slotting



Tornos certification workpiece 2 with long part machining (250 mm) needing double provisioning



Tornos certification workpiece 3 with threading machining with a whirling tool